

TCP/IP-TDM



- Transmission Control Protocol
- Internet Protocol
- Time Division Multiplexing

The clock is ticking!
Now is the time to act!

Remastering an Ubuntu Live CD for use at school



- Remastering Ubuntu

How I customised an Ubuntu Live CD to support technology classes I ran at school for a year 5 and a year 3/4 class.

Ongoing project...

In the beginning...



- School got some Lego RCX
- Needed a geek to play with it...
- ~~Committed Communist~~
- Hippy
- FOSS Evangelist
 - Had to be Free (libre)
- Parent
 - Had to be Free (gratis)

A Plan to deviate from ...



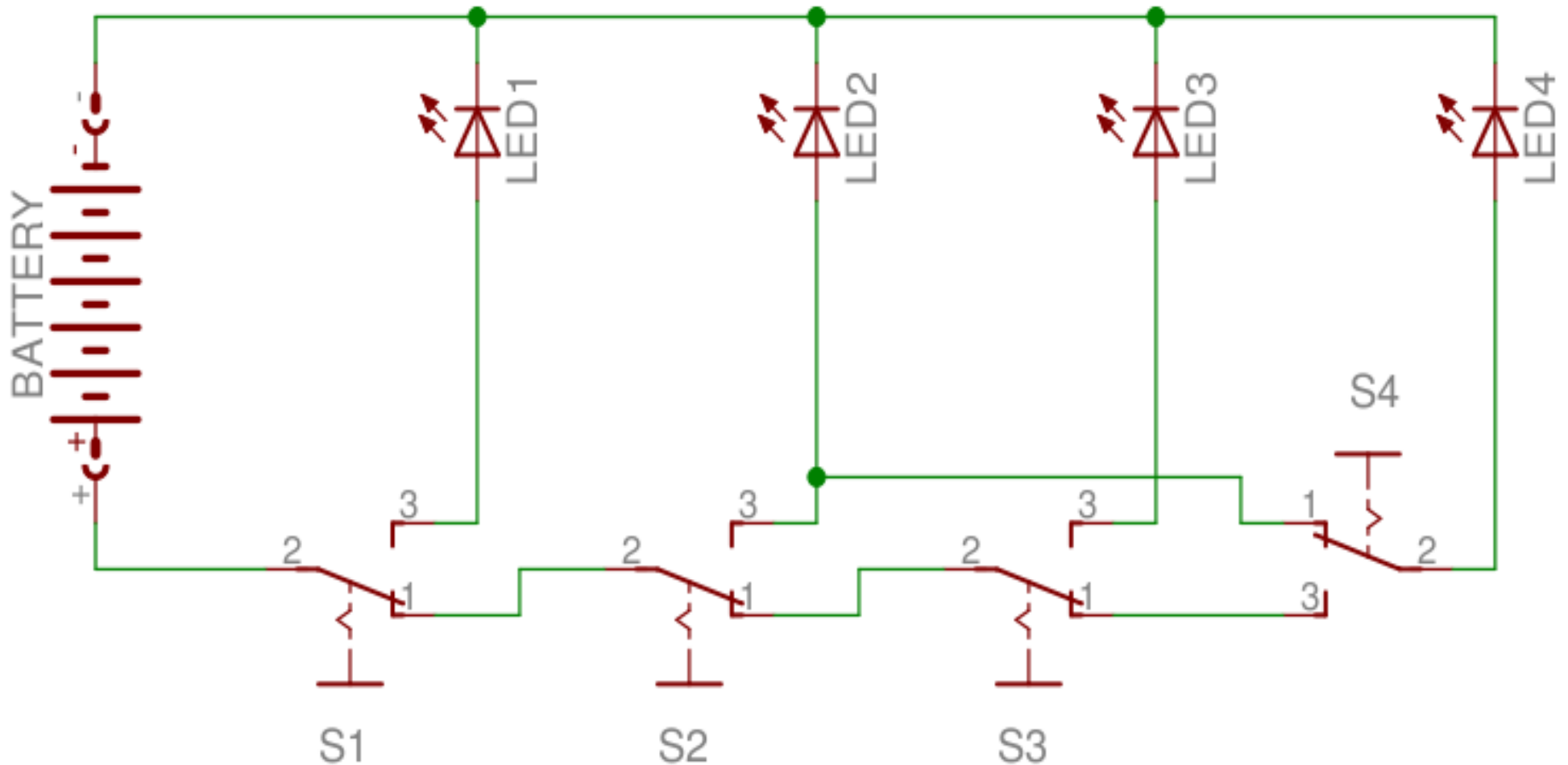
- MediaWiki
- PC
 - ~~Live CD~~
 - ~~Bootable USB~~
 - ~~LTSP~~
 - Windows
- Lego
 - NQC

First Year



- Year 5 class
- 8 sessions + Mystery Circuit
 1. BlinkenLights
 2. GNUCAP
 3. Regenerative Breaking / Railgun
 4. Guido van Robot
 5. Melting_Silver / Automotive
 6. Dodgem
 7. Dodgem part 2
 8. Electronics Recap

Mystery Circuit



Lessons Learned



+

- Kids loved it (learnt something?)
- Teacher loved the free time

-

- Lego may be too creative ...
- Live (as in 'grenade') DVD
- End of year is busy!

Second (current) Year



- Year 3/4 class
- 7 sessions (so far)
 1. Melting_Silver
 2. Rocketry
 3. LiveDVD / CanalLocks
 4. Guido van Robot (2011)
 5. Railgun / Regenerative_Breaking
 6. Blinkenlights 2011
 7. budd:e

Lessons Learned



+

- neutered DVD
- DVD coverart
- Permission slips

-

- (3 « 4) « 5
- Assemble, then glue!

Remastering HOWTO



And here's a WIKI page I prepared earlier:

http://adelie/wiki/Ubuntu_Customization_Kit

Things to Do



- MediaWiki
 - Hosting
 - Export: .pdf / .html / .*
 - Live-DVD
- New/more/other Stuff?
 - Year 3/4 Term 2
 - Year 6
- Different Audiences
 - Younger Kids?
 - Older Kids?
 - Much older Kids?

Thanks!



Liz

Karen

Sophia

beta-testers

Thomas Sprinkmeier

thomas.sprinkmeier@gmail.com

ubuntu